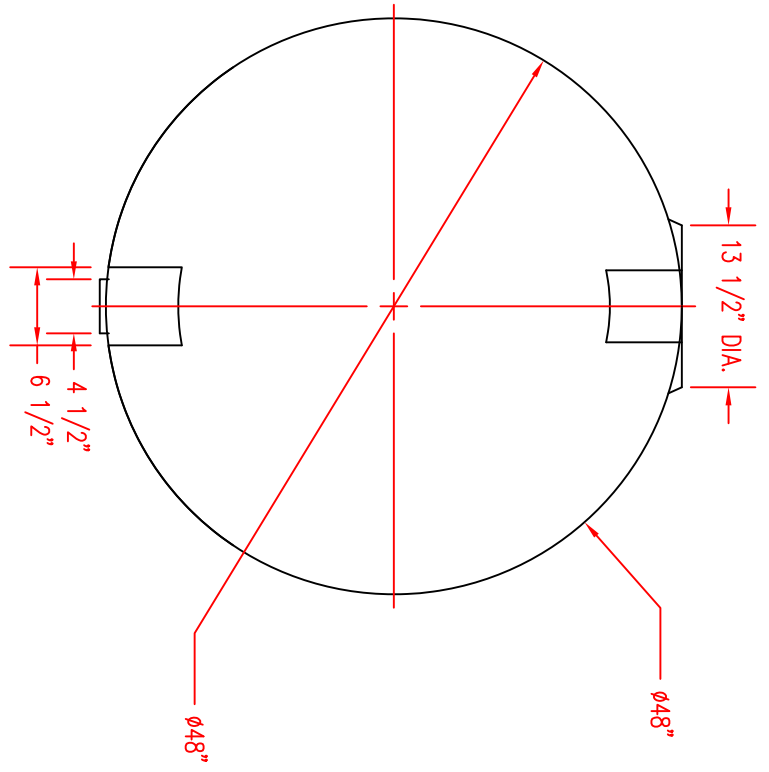
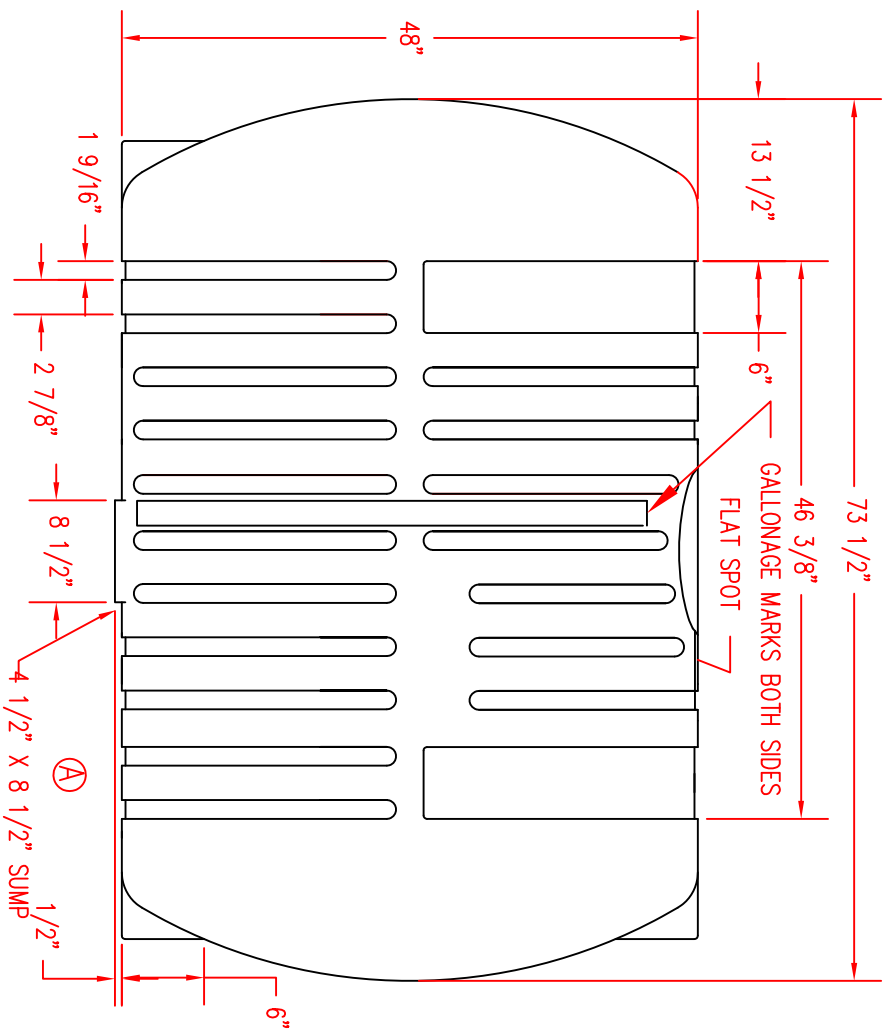


REVISIONS				
ZONE	REV	DESCRIPTION	DATE	APPROVED
	A	SUMP WAS 6 1/2 X 12	21DEC09	



NORWESCO
 ST. BONIFACIUS, MN

500 GALLON X 48 DIA
 APPLICATOR TANK

JTP 27JUN03

SIZE A FSCM NO. 47474 / 47330

DWG NO. 47474 / 47330

SCALE 1/16

SHEET

REV A